

PAGE 1/2

ISSUE 28-09-18

SERIE : SPnT

PART NUMBER : R583423141

RF CHARACTERISTICS*

Number of ways : **6**
 Frequency range : **0 - 18 GHz**
 Impedance : **50 Ohms**

Frequency (GHz)	DC - 3	3 - 8	8 - 12.4	12.4 - 18
VSWR max	1.20	1.30	1.40	1.50
Insertion loss max	0.20 dB	0.30 dB	0.40 dB	0.50 dB
Isolation min	80 dB	70 dB	60 dB	60 dB
Average power (**)	240 W	150 W	120 W	100 W

ELECTRICAL CHARACTERISTICS

Actuator*** : **LATCHING**
 Nominal current at 25°C (±10%) : **62.5 mA**
 Actuator voltage (Vcc) : **28V (24 to 30V)**
 Terminals : **15 pins D-SUB male connector**

MECHANICAL CHARACTERISTICS

Connectors : **SMA female per MIL-C 39012**
 Life : **5.000.000 cycles per position**
 Switching Time (nominal voltage at 25°C) : **< 15 ms**
 Construction : **Splashproof**
 Weight : **< 180 g**

ENVIRONMENTAL CHARACTERISTICS

Operating temperature range : **-40°C to +85°C**
 Storage temperature range : **-55°C to +85°C**

- (* Specified with only one way switched)
- (** Average power at 25°C per RF Path)
- (*** More than one position can be switched at the same time)



20189059-10

Name : BR

Date : 28/09/18

Issue	Revision	App.

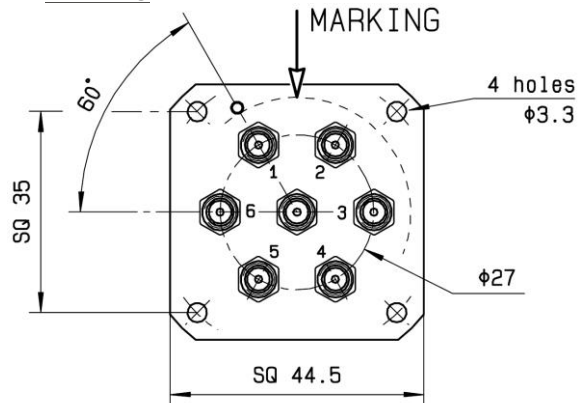
PAGE 2/2

ISSUE 28-09-18

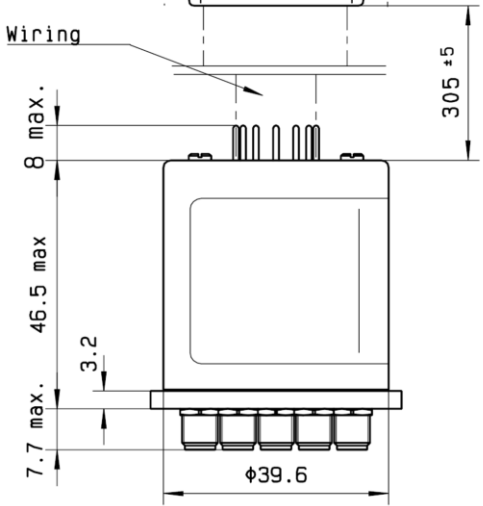
SERIE : SPnT

PART NUMBER : R583423141

DRAWING

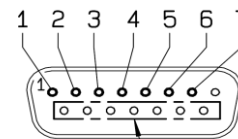


15 pins D-SUB male connector



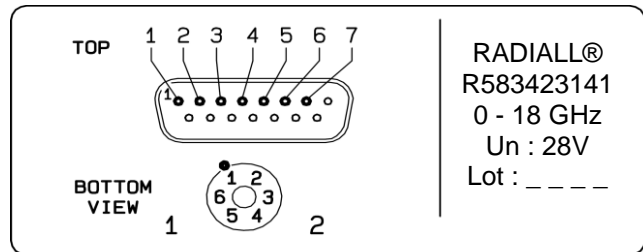
General tolerances : ±0.5 mm

Voltage		RF Continuity
+	-	
1	2	IN ↔ 1 closed
2	1	IN ↔ 1 open
2	3	IN ↔ 2 closed
3	2	IN ↔ 2 open
3	4	IN ↔ 3 closed
4	3	IN ↔ 3 open
4	5	IN ↔ 4 closed
5	4	IN ↔ 4 open
5	6	IN ↔ 5 closed
6	5	IN ↔ 5 open
6	7	IN ↔ 6 closed
7	6	IN ↔ 6 open



Do not use these pins to avoid malfunction

LABEL



SCHEMATIC DIAGRAM

